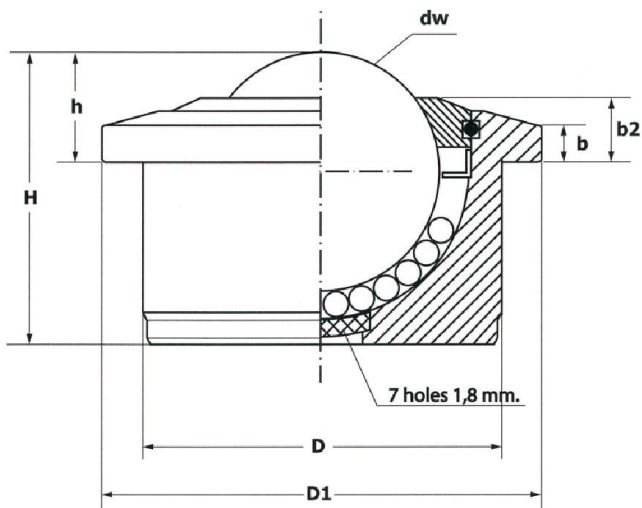


SPM heavy duty Cargo type



- Housing with flange made of machined from rod and hardened steel, to guarantee high load capacities and higher resistance to strong conditions
- They are particularly suggested for use in airport implants, deposits, airport handling units and so on
- Housing made of zinc plated steel with sealing coating to increase corrosion resistance.
- Reinforced cover cap made of machined steel.
- To guarantee highest fluency in all working conditions, the felt sealing system is not scheduled. Stainless steel disc with seven drain holes at the bottom to favour the draining of condensate, powder, impurities

SPM heavy duty Cargo type

Article	Type	Version	Dimensions						Loading-capacity		Weight kg
			d _w	D	D1	h	H	b	↑	↓	
SPM03000C-G	SPM 30 C Cargo	Zinc plated steel with sealing coating body, balls made of AISI 420C stainless steel	30	45 ± 0,08	55	13,8 ± 0,3	36,8	5	240	0,355	
SPM04500C-G	SPM 45 C Cargo		45	62 ± 0,1	75	19 ± 0,4	53,5	6	400	0,990	
SPM03000SS-G	SPM 30 SS Cargo	AISI 420C stainless steel body, components made of AISI 303 stainless steel, balls made of AISI 420C stainless steel	30	45 ± 0,08	55	13,8 ± 0,3	36,8	5	240	0,355	
SPM04500SS-G	SPM 45 SS Cargo		45	62 ± 0,1	75	19 ± 0,4	53,5	6	400	0,990	