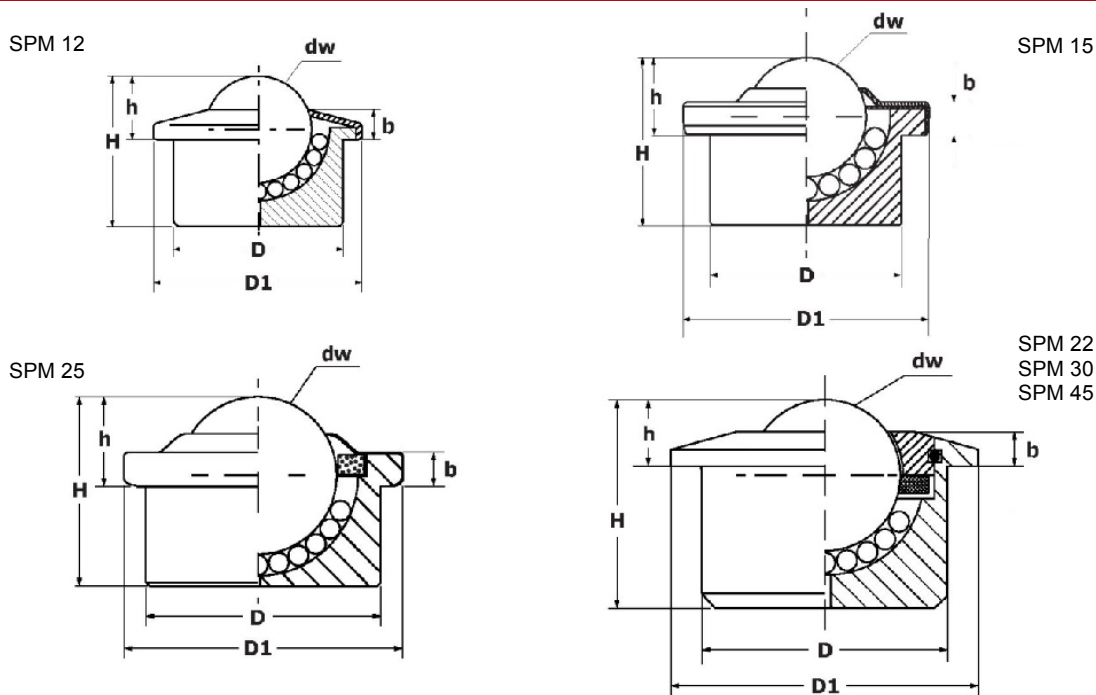


SPM HEAVY DUTY, flange



- Housing with flange made of machined from rod and hardened steel, to guarantee high load capacities and higher resistance to strong conditions
- Reinforced cover cap made of machined steel (SPM12, 15 and 25 made of pressed metal sheet)
- Felt sealing system (except for SPM 12 and 15)
- Drain hole at the bottom

SPM –HEAVY DUTY TYPE WITH FLANGE

Article	Type	Information	Dimension					Loading		Weight kg	
			d_w	D	D1	h	H	\uparrow	\downarrow		
SPM01200A	SPM 12 A		12	$22 \pm 0,08$	27	$8 \pm 0,2$	16,75	5	20	15	0,035
SPM01500A	SPM 15 A		15	$24 \pm 0,08$	31	$9,5 \pm 0,2$	21	5,5	50	35	0,060
SPM02200A	SPM 22 A	Body made of steel, balls made of AISI 52100 chrome steel	22	$36 \pm 0,08$	45	$9,8 \pm 0,2$	30,5	4,5	180	125	0,185
SPM02500A	SPM 25 A		25	$38 \pm 0,08$	45	$14 \pm 0,3$	30,2	8,5	180	125	0,195
SPM03000A	SPM 30 A		30	$45 \pm 0,08$	55	$13,8 \pm 0,3$	36,8	8	350	250	0,355
SPM04500A	SPM 45 A		45	$62 \pm 0,1$	75	$19 \pm 0,4$	53,5	10	600	420	0,990
SPM01200B	SPM 12 B		12	$22 \pm 0,08$	27	$8 \pm 0,2$	16,75	5	20	15	0,035
SPM01500B	SPM 15 B		15	$24 \pm 0,08$	31	$9,5 \pm 0,2$	21	5,5	50	35	0,060
SPM02200B	SPM 22 B	Body made of zinc plated steel, balls made of AISI 52100 chrome steel	22	$36 \pm 0,08$	45	$9,8 \pm 0,2$	30,5	4,5	180	125	0,185
SPM02500B	SPM 25 B		25	$38 \pm 0,08$	45	$14 \pm 0,3$	30,2	8,5	180	125	0,195
SPM03000B	SPM 30 B		30	$45 \pm 0,08$	55	$13,8 \pm 0,3$	36,8	8	350	250	0,355
SPM04500B	SPM 45 B		45	$62 \pm 0,1$	75	$19 \pm 0,4$	53,5	10	600	420	0,990
SPM01200C	SPM 12 C		12	$22 \pm 0,08$	27	$8 \pm 0,2$	16,75	5	15	10	0,035
SPM01500C	SPM 15 C		15	$24 \pm 0,03$	31	$9,5 \pm 0,2$	21	5,5	40	25	0,060
SPM02200C	SPM 22 C	Body made of zinc plated steel, balls made of AISI 420C stainless steel	22	$36 \pm 0,08$	45	$9,8 \pm 0,2$	30,5	4,5	130	90	0,185
SPM02500C	SPM 25 C		25	$38 \pm 0,08$	45	$14 \pm 0,3$	30,2	8,5	130	90	0,195
SPM03000C	SPM 30 C		45	$45 \pm 0,08$	55	$13,8 \pm 0,3$	36,8	8	240	170	0,355
SPM04500C	SPM 45 C		45	$62 \pm 0,1$	75	$19 \pm 0,4$	53,5	10	400	280	0,990
SPM01200SS	SPM 12 SS		12	$22 \pm 0,08$	27	$8 \pm 0,2$	16,75	5	15	10	0,035
SPM01500SS	SPM 15 SS		15	$24 \pm 0,08$	31	$9,5 \pm 0,2$	21	5,5	40	25	0,060
SPM02200SS	SPM 22 SS	Body, components and all the balls made of AISI 420C stainless steel	22	$36 \pm 0,08$	45	$9,8 \pm 0,2$	30,5	4,5	130	90	0,185
SPM02500SS	SPM 25 SS		25	$38 \pm 0,08$	45	$14 \pm 0,3$	30,2	8,5	130	90	0,195
SPM03000SS	SPM 30 SS		30	$45 \pm 0,08$	55	$13,8 \pm 0,3$	36,8	8	240	170	0,355
SPM04500SS	SPM 45 SS		45	$62 \pm 0,1$	75	$19 \pm 0,4$	53,5	10	400	280	0,990