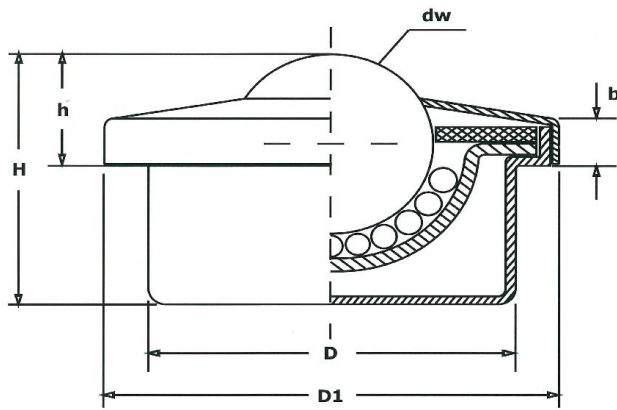


SPP 25 type made of plastic materials



- Housing and cover cap made of pressed ABS plastic.
- Inner ball race made of pressed and hardened metal sheet.
- To offer the best fluency, the felt sealing system is not scheduled.
- Working temperatures 0°/60°.

SPP 25 type made of plastic materials

Article	Type	Version	Dimensions					Loading-capacity	Weight	
			d _w	D	D1	h	H			b
SPP02500P	SPP 25 P	Body and cover cap made of ABS plastic, inner ball race made of pressed metal sheet, balls made of AISI 52100 chrome steel	25	37,5 ± 0,5	45,5	14,7 ± 0,3	32,5	8,5	25	0,140
SPP02500PC	SPP 25 PC	Body and cover cap made of ABS plastic, inner ball race made of pressed metal sheet, balls made of AISI 52100 chrome steel balls	25	37,5 ± 0,5	45,5	14,7 ± 0,3	32,5	8,5	25	0,140
SPP02500PD	SPP 25 PD	Body and cover cap made of ABS plastic inner ball race made of pressed metal sheet, big ball made of plastic, small balls made of AISI 52100 chrome steel	25	37,5 ± 0,5	45,5	14,7 ± 0,3	32,5	8,5	15	0,80
SPP02500PCD	SPP 25 PCD	Body and cover cap made of ABS plastic, inner ball race made of pressed metal sheet, big ball made of plastic, small balls made of AISI 420C stainless steel	25	37,5 ± 0,5	45,5	14,7 ± 0,3	32,5	8,5	15	0,80