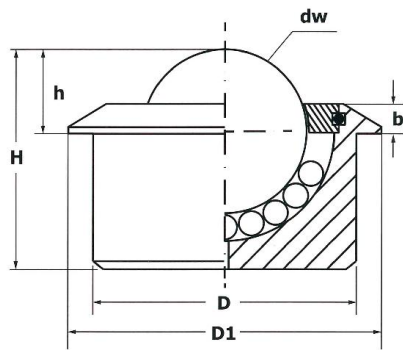
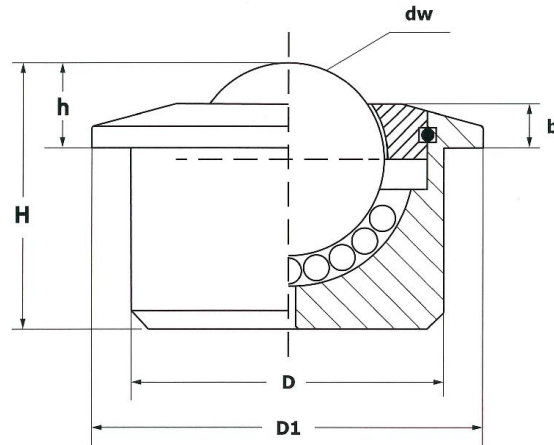


SPP type made of plastic material



SPP 15



SPP 22/30/45

- Housing with flange made of acetal resin (POM) machined from rod end.
- To guarantee a good fluency even in presence of light loads and avoid a possible absorption of liquids, the felt sealing system is not scheduled.
- Drain hole at the bottom.
- They resist in contact with salt water and chemical substances.
- They are useful for applications in the chemical., pharmaceutical and medical fields.
- All the listed versions can be manufactured with an insert clip for the insertion of a fixing ring according to DIN 471.
- Working temperatures 0°/60°

SPP type made of plastic material

Article	Type	Version	Dimensions						Loading-capacity	Weight
			d _w	D	D1	h	H	b		
SPP01500PC	SPP 15 PC	Body made of acetal resin (POM), balls made of AISI 316 stainless steel	15	24 ± 0,08	30	8 ± 0,2	20	3	7	0,024
SPP02200PC	SPP 22 PC		22	36 ± 0,08	45	9,8 ± 0,2	30,5	4,5	10	0,074
SPP03000PC	SPP 30 PC		30	45 ± 0,08	55	13,8 ± 0,3	36,8	8	15	0,162
SPP04500PC	SPP 45 PC		45	62 ± 0,01	75	19 ± 0,4	53,5	10	20	0,502
SPP01500PCD	SPP 15 PCD		15	24 ± 0,08	30	8 ± 0,2	20	3	7	0,015
SPP02200PCD	SPP 22 PCD	Body and big ball made of acetal resin (POM), small balls made of AISI 316 stainless steel	22	36 ± 0,08	45	9,8 ± 0,2	30,5	4,5	10	0,040
SPP03000PCD	SPP 30 PCD		30	45 ± 0,08	55	13,8 ± 0,3	36,8	8	15	0,070
SPP04500PCD	SPP 45 PCD		45	62 ± 0,1	75	19 ± 0,4	53,5	10	20	0,185
SPP01500PD	SPP 15 PD		15	24 ± 0,08	30	8 ± 0,2	20	3	7	0,012
SPP02200PD	SPP 22 PD	Body and all balls made of acetal resin (POM)	22	36 ± 0,08	45	9,8 ± 0,2	30,5	4,5	10	0,036
SPP03000PD	SPP 30 PD		30	45 ± 0,08	55	13,8 ± 0,3	36,8	8	15	0,066
SPP04500PD	SPP 45 PD		45	62 ± 0,1	75	19 ± 0,4	53,5	10	20	0,176