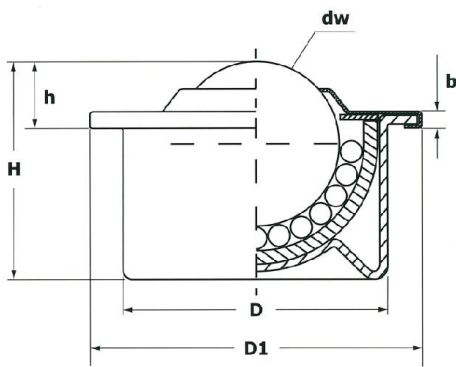
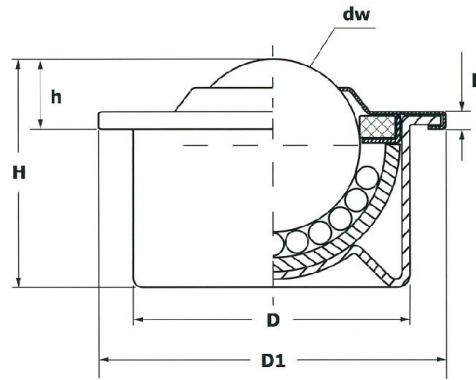


SPS pressed metal



SPS 12/15



SPS 22/30/45

- Dimensionally interchangeable with SPM types, they guarantee good fluency and higher lightness at cheaper price.
- Housing and cover cap made of pressed metal sheet.
- Inner ball race made of machined and hardened steel.
- Felt sealing system (except for SPS 12 and 15).

SPS pressed metal

Article	Type	Version	Dimensions						Loading-capacity		Weight kg
			d _w	D	D1	h	H	b	↑	↓	
SPS01200B	SPS 12 B	Body made of pressed and zinc plated metal sheet, inner ball race made of hardened steel, balls made of AISI 52100 chrome Steel	12	22 ± 0,08	28	8 ± 0,2	17,2	3	15	15	0,030
SPS01500B	SPS 15 B		15	24 ± 0,08	31	9,5 ± 0,2	21	3	50	35	0,037
SPS02200B	SPS 22 B		22	36 ± 0,08	45	9,8 ± 0,2	29,5	3,5	120	80	0,130
SPS02500B	SPS 25 B		25	38 ± 0,08	45	14 ± 0,3	30,5	3,5	120	80	0,130
SBS03000B	SPS 30 B		30	45 ± 0,1	55	13,8 ± 0,3	36,8	4	250	170	0,265
SBS04500B	SPS 45 B		45	62 ± 0,15	75	19 ± 0,4	53,5	6	420	300	0,655
SPS01500C	SPS 15 C	Body made of pressed and zinc plated metal sheet, inner ball race made of hardened steel, balls made of AISI 420C stainless steel	15	24 ± 0,08	31	9,5 ± 0,2	21	3	35	25	0,037
SPS02200C	SPS 22 C		22	36 ± 0,08	45	9,8 ± 0,2	29,5	3,5	90	60	0,130
SPS02500C	SPS 25 C		25	38 ± 0,08	45	14 ± 0,3	30,5	3,5	90	60	0,130
SPS03000C	SPS 30 C		30	45 ± 0,1	55	13,8 ± 0,3	36,8	4	140	100	0,265
SPS01500SS	SPS 12 B	Body made of pressed stainless steel sheet, inner ball race made of hardened stainless steel, balls made of AISI 420C stainless steel	15	24 ± 0,08	31	9,5 ± 0,2	21	3	35	25	0,037
SPS02200SS	SPS 15 B		22	36 ± 0,08	45	9,8 ± 0,2	29,5	3,5	90	60	0,130
SPS02500SS	SPS 22 B		25	38 ± 0,08	45	14 ± 0,3	30,5	3,5	90	60	0,130
SPS03000SS	SPS 25 B		30	45 ± 0,1	55	13,8 ± 0,3	36,8	4	140	100	0,265