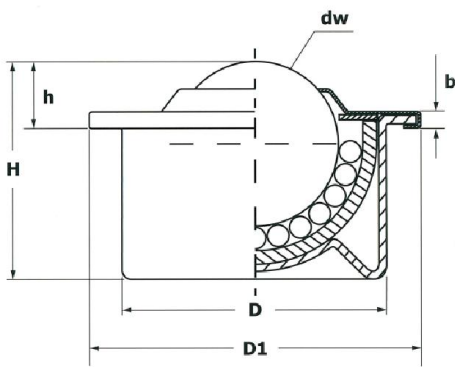
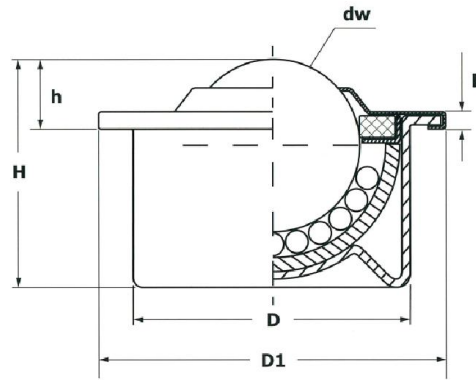


SPS pressed metal type with big ball of plastic material



SPS 15



SPS 22/30/45

- Dimensionally interchangeable with SPM types, they guarantee good fluency and higher lightness at cheaper price.
- Housing and cover cap made of pressed metal sheet.
- Inner ball race made of machined and hardened steel.
- Version with the big ball made of plastic material:
 - to handling particularly gentle surfaces as glass or crystal sheets, wood panels, painted or glazed pressed metal sheets, and so on;*
 - to guarantee a good fluency even in presence of light loads, the felt sealing system is not present;*
 - usually they are not suitable in applications with the big ball downwards;*
 - working temperatures 0°/60°.*

SPS pressed metal type with big ball of plastic material

Article	Type	Version	Dimensions						Loading-capacity		Weight kg
			d _w	D	D1	h	H	b	↑	↓	
SPS01500BD	SPS 15 BD	Body made of pressed metal and zinc plated sheet, inner ball race made of hardened steel, big ball made of plastic*, small balls made of AISI 52100 chrome steel	15	24 ± 0,08	31	9,5 ± 0,2	21	3	13	-	0,026
SPS02200BD	SPS 22 BD		22	36 ± 0,08	45	9,8 ± 0,2	29,5	3,5	20	-	0,084
SPS02500BD	SPS 25 BD		25	38 ± 0,08	45	14 ± 0,3	30,5	3,5	20	-	0,084
SPS03000BD	SPS 30 BD		30	45 ± 0,1	55	13,8 ± 0,3	36,8	4	25	-	0,155
SPS04500BD	SPS 45 BD		45	62 ± 0,15	75	19 ± 0,4	53,5	6	25	-	0,335
SPS01500CD	SPS 15 CD		15	24 ± 0,08	31	9,5 ± 0,2	21	3	13	-	0,026
SPS02200CD	SPS 22 CD	Body made of pressed metal and zinc plated sheet, inner ball race made of hardened steel, big ball made of plastic*, small balls made of AISI420C stainless steel	22	36 ± 0,08	45	9,8 ± 0,2	29,5	3,5	20	-	0,084
SPS02500CD	SPS 25 CD		25	38 ± 0,08	45	14 ± 0,3	30,5	3,5	20	-	0,084
SPS03000CD	SPS 30 CD		30	45 ± 0,1	55	13,8 ± 0,3	36,8	4	25	-	0,155
SPS01500SSCD	SPS15SSCD		15	24 ± 0,08	31	9,5 ± 0,2	21	3	13	-	0,026
SPS0220SSCD	SPS22SSCD	Body made of pressed stainless steel sheet, inner ball race made of hardened stainless steel, big ball made of plastic*, small balls made of AISI420C stainless steel	22	36 ± 0,08	45	9,8 ± 0,2	29,5	3,5	20	-	0,084
SPS02500SSCD	SPS25SSCD		25	38 ± 0,08	45	14 ± 0,3	30,5	3,5	20	-	0,084
SPS03000SSCD	SPS30SSCD		30	45 ± 0,1	55	13,8 ± 0,3	36,8	4	25	-	0,155