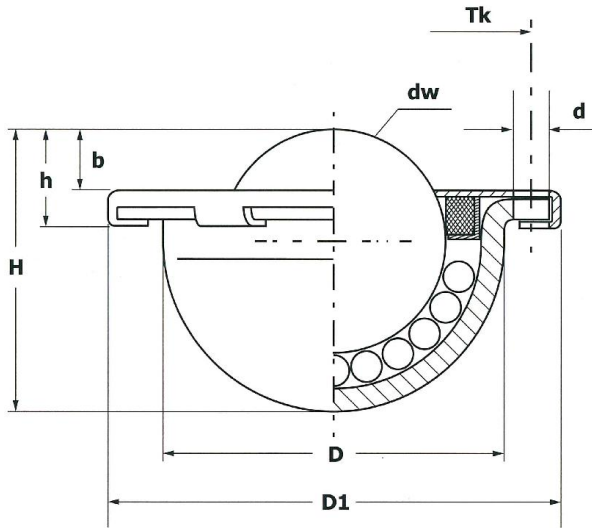


# SPS SC pressed metal sheet type with fixing holes



- Housing in hardened and zinc plated pressed metal sheet
- Holes on the flange for fixing by means of screws or rivets.
- Felt sealing system
- Version with the big ball made of plastic material:
  - material is particularly suitable to handle gentle surfaces as glass or crystal sheets, wood panels, painted or glazed pressed metal sheets, and so on;\*
  - the felt sealing system is not present;
  - working temperatures 0°/60°.\*

## SPS SC pressed metal sheet type with fixing holes

Article	Type	Version	Dimensions									Weight		
			d <sub>w</sub>	D	D1	h	H	b	d	Tk	N°	↑	↓	kg
SPS02200BSC	SPS 22 B SC	Body made of zinc plated steel, balls made of AISI 52100chrome steel	22	33 - 0,2	45	9,8 ± 0,2	27,7	6,2	3,5	39	3	120	80	0,1
SPS02200CSC	SPS 22 C SC	Body made of zinc plated steel, balls made of AISI 420Cstainless steel	22	33 - 0,2	45	9,8 ± 0,2	27,7	6,2	3,5	39	3	90	60	0,1
SPS02200BDSC	SPS 22 BD SC	Body made of zinc plated steel, big ball made of plastic, small balls made of AISI52100 chrome steel	22	33 - 0,2	45	9,8 ± 0,2	27,7	6,2	3,5	39	3	20	-	0,65
SPS02200CDSC	SPS 22 CD SC	Body made of zinc plated steel, big ball made of plastic, small balls made of AISI420C stainless steel	22	33 - 0,2	45	9,8 ± 0,2	27,7	6,2	3,5	39	3	20	-	0,65